

ADVANCED HIGH CEILING

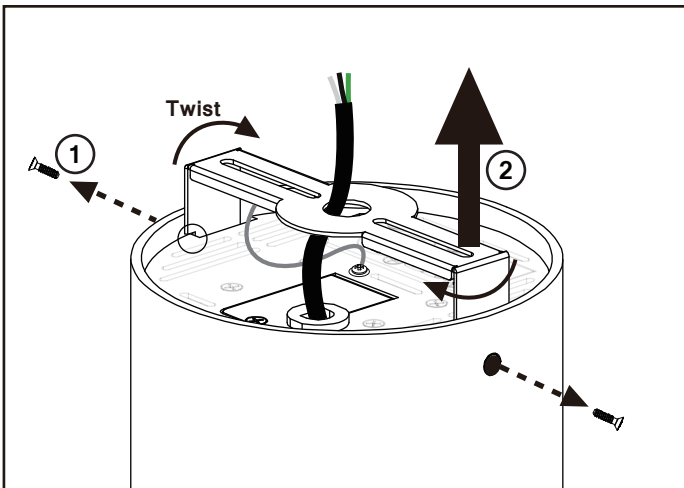
Atria 4 Series - Surface Mount (DMX)



IMPORTANT SAFETY INFORMATION. READ AND FOLLOW ALL SAFETY INSTRUCTIONS

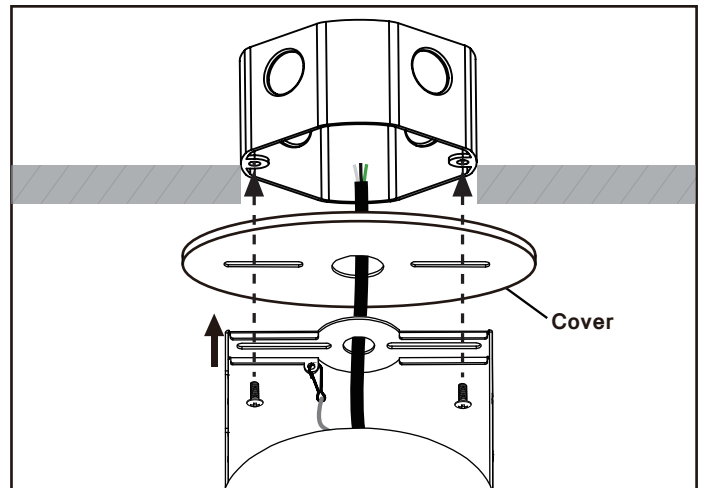
IMPORTANT SAFETY INFORMATION. READ AND FOLLOW ALL SAFETY INSTRUCTIONS. Before wiring to power supply and during servicing or relamping, turn off power at fuse or circuit breaker. All servicing or relamping must be performed by qualified service personnel. Product must be grounded to avoid potential electric shock or other potential hazard. Product must be at locations and at heights and in a manner consistent with its intended use, and in compliance with Electrical Code and local codes.

SAVE THESE INSTRUCTIONS FOR FUTURE REFERENCE.



Step 1

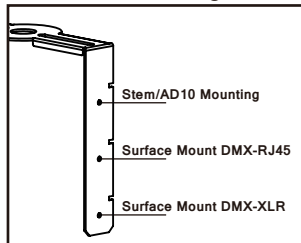
Loosen the screws and adjust the height of bracket by aligning the slots in bracket to the lid. See DMX bracket diagram below. Twist the bracket and secure by screws.



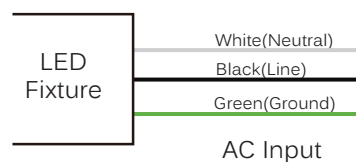
Step 2

Feed the cord through the hole of bracket and the center hole of cover. Make electrical connections inside junction box (by others). See wiring diagrams. Align the slots on the bracket to the slots on cover and secure the fixture to junction box.

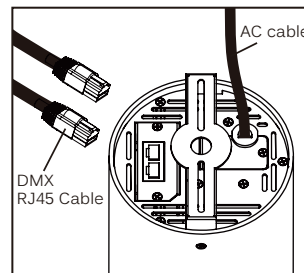
DMX Bracket Diagram



Wiring Diagram

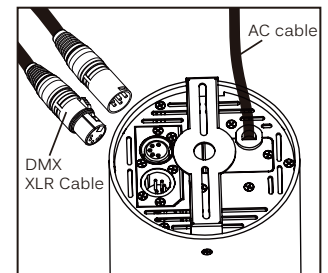


RJ45



Connect DMX by using a standard shielded CAT5/6 cable.

XLR



Connect DMX by using a standard DMX512 XLR cable with 5 pin in/out connector (by others).

***The last fixture has to be terminated with a DMX Terminator (by others).**